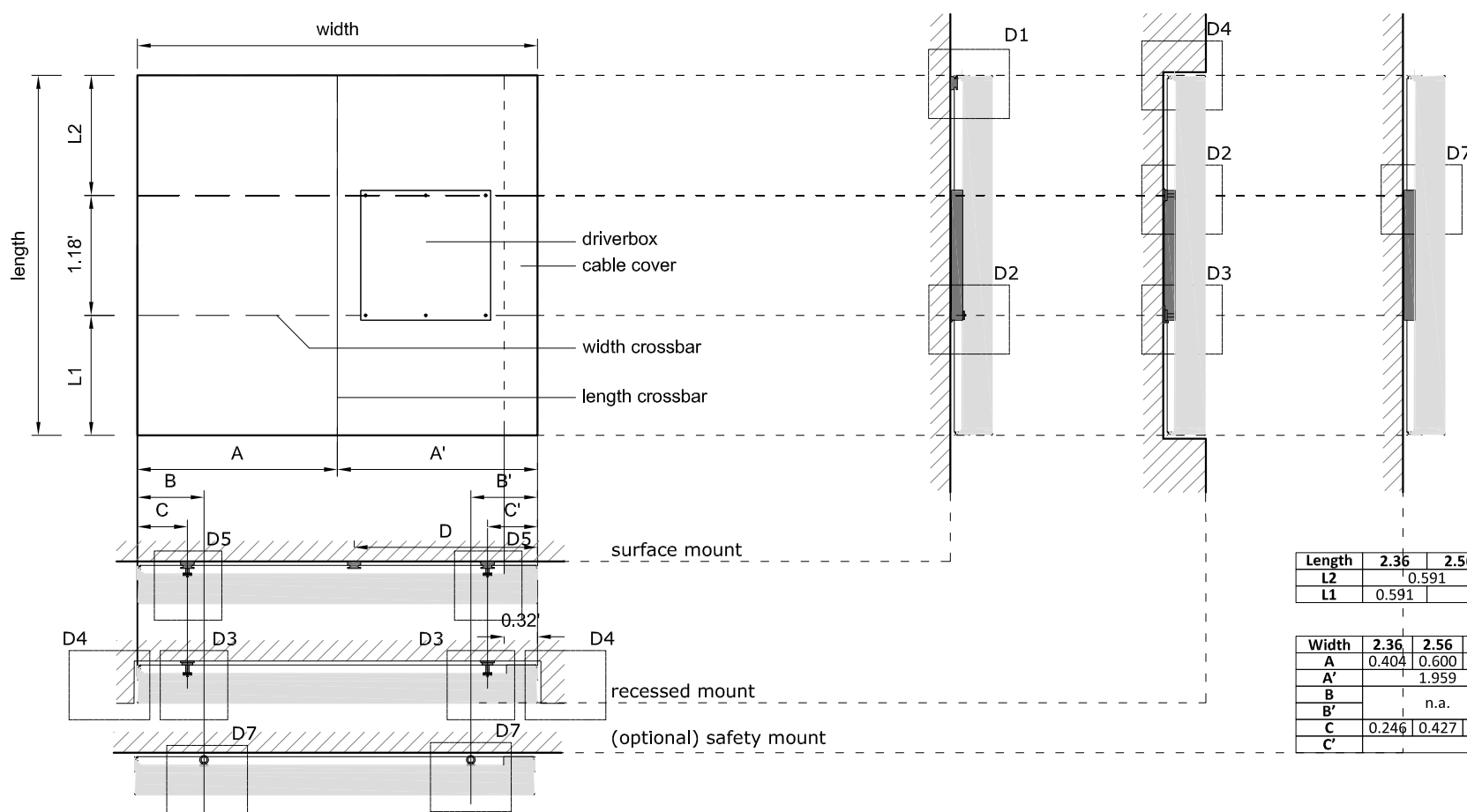
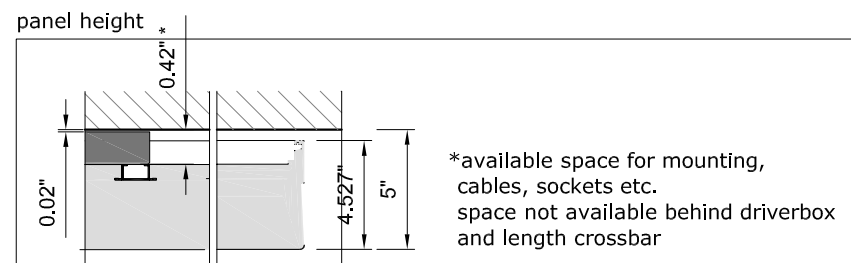


*available space for mounting, cables, sockets etc. space not available behind driverbox and length crossbar



Length	2.36	2.56	2.76	2.95	3.15	3.35	3.54
L2	0.591	0.787					
L1	0.591	0.787	0.591	0.787	0.984	1.181	

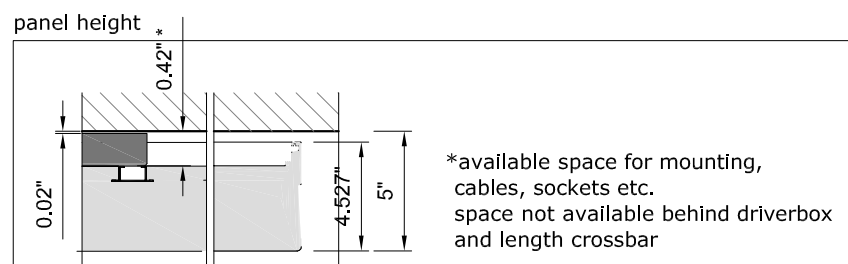
Width	2.36	2.56	2.76	2.95	3.15	3.35	3.54	3.74	3.94
A	0.404	0.600	0.797	0.830	1.027	1.224	1.421	1.617	1.814
A'		1.959				2.123			
B						0.656			
B'		n.a.				0.656			
C	0.246	0.427	0.492			0.492			
C'				0.492					



Length	2.36	2.56	2.76	2.95	3.15	3.35	3.54
L2	0.591	0.787			1.181		
L1	0.591	0.787	0.591	0.787	0.984	1.181	

Width	2.36	2.56	2.76	2.95	3.15	3.35	3.54	3.74	3.94
A	0.404	0.600	0.797	0.830	1.027	1.224	1.421	1.617	1.814
A'		1.959				2.123			
B						0.656			
B'		n.a.				0.656			
C	0.246	0.427	0.492			0.492			
C'				0.492					

All rights are reserved. Reproduction in whole or in part is prohibited without the written consent of the copyright owner.
© KONINKLIJKE PHILIPS ELECTRONICS N.V. 2015

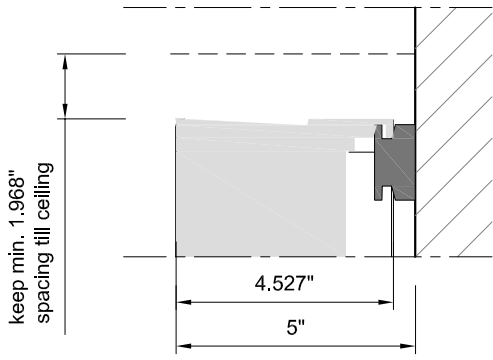


Length	2.36	2.56	2.76	2.95	3.15	3.35	3.54
L2	0.591	0.787	0.984	1.181	1.377	1.574	1.771
L1	0.591	0.787	0.984	1.181	1.377	1.574	1.771

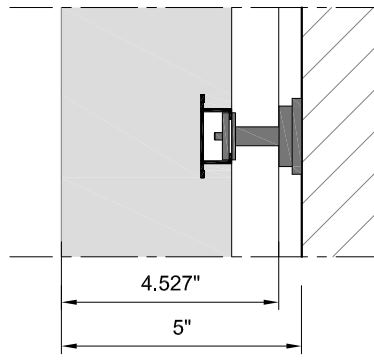
Width	2.36	2.56	2.76	2.95	3.15	3.35	3.54	3.74	3.94
A	0.404	0.600	0.797	0.830	1.027	1.224	1.421	1.617	1.814
A'	1.959				2.123				
B	n.a.				0.656				
B'	n.a.				0.656				
C	0.246	0.427	0.492	0.492					
C'	0.492								

All rights are reserved. Reproduction in whole or in part is prohibited without the written consent of the copyright owner.
© KONINKLIJKE PHILIPS ELECTRONICS N.V. 2015

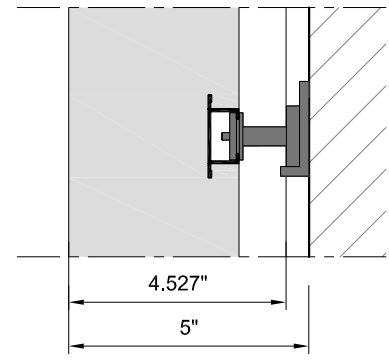
D1: wall hook



D2: magnet + plate

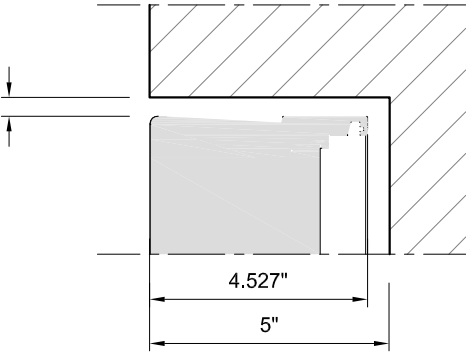


D3: magnet + L-bracket

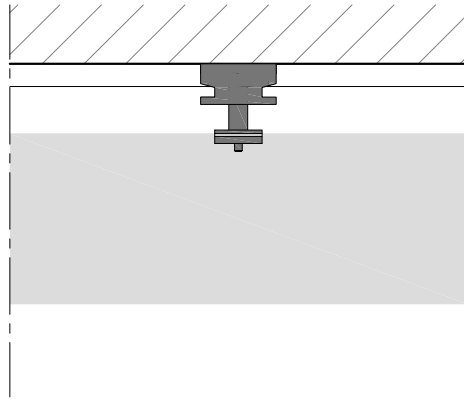


keep min. 0.394" for heat dissipation and allowing the panel to be removed

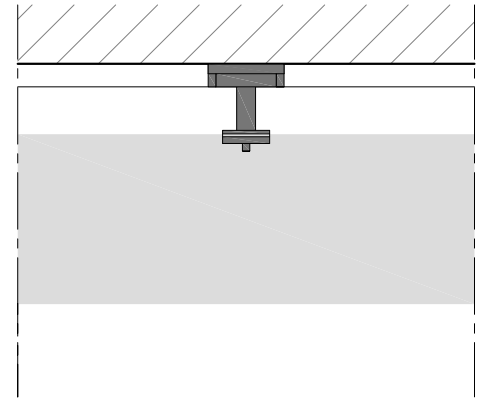
D4: recessed mounting - clearance



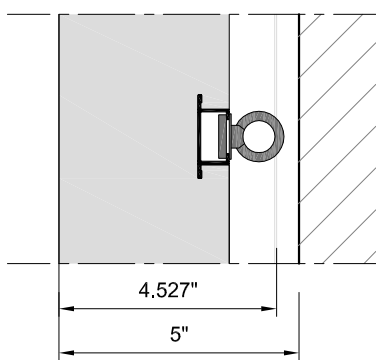
D5: wall hook / magnet + plate



D6: magnet + plate / magnet + L-bracket

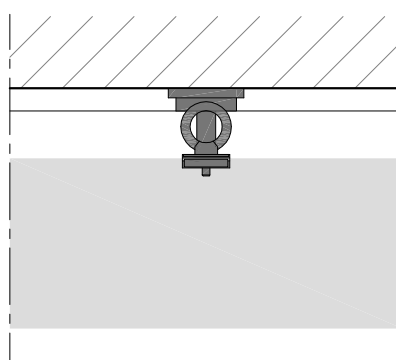


D7: safety eye



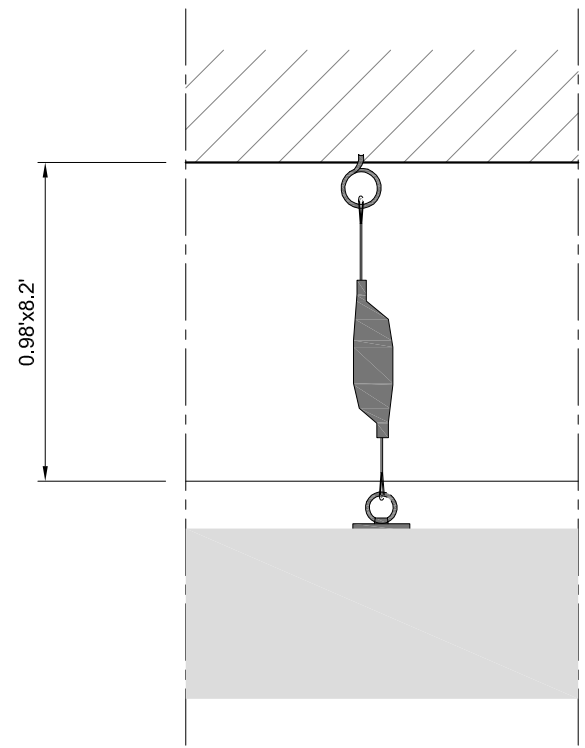
ensure wall safety eye is not exactly behind the panel safety eye

D8: magnet + plate / safety eye



ensure ceiling safety eye is not exactly behind the panel safety eye

D9: technical suspended



D10: posilock suspended

