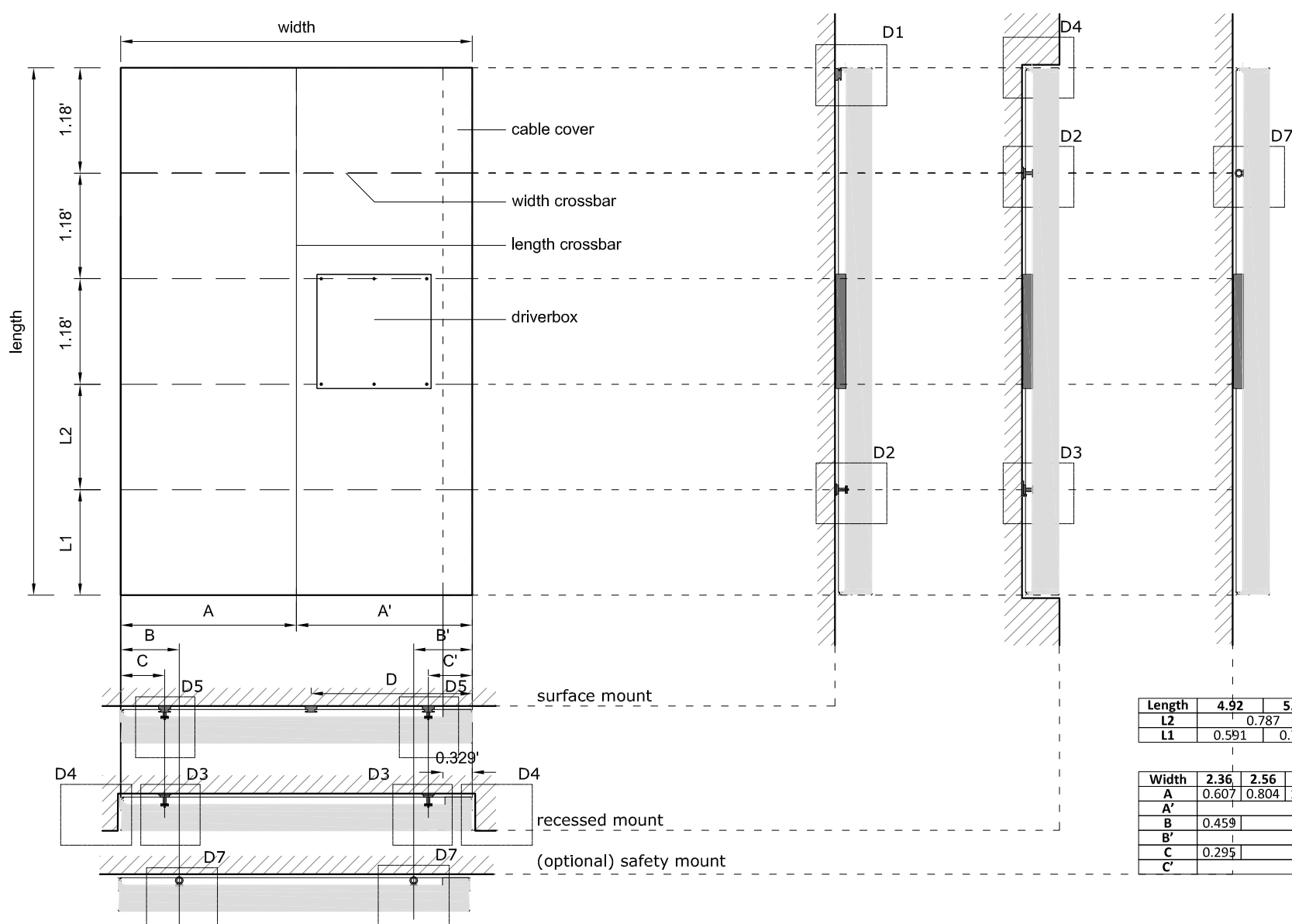
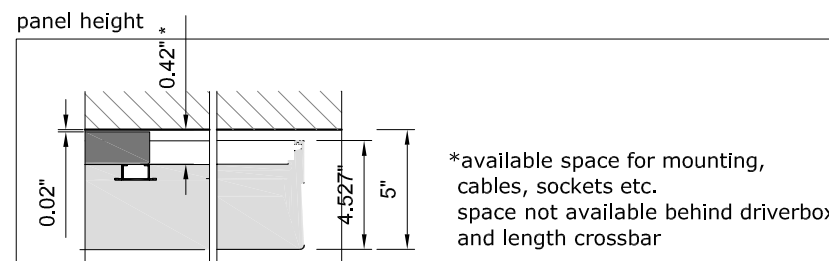
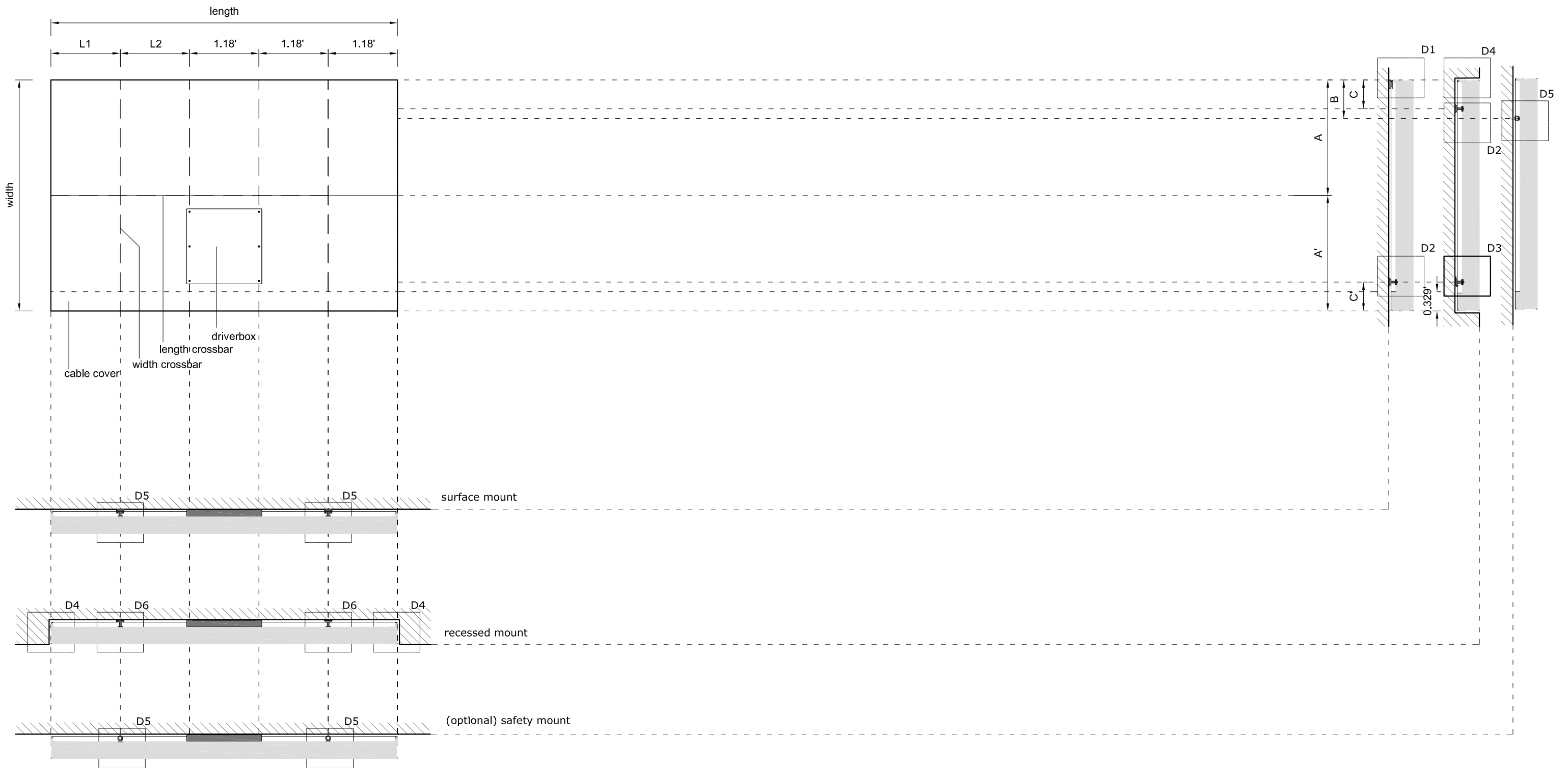


*available space for mounting, cables, sockets etc. space not available behind driverbox and length crossbar



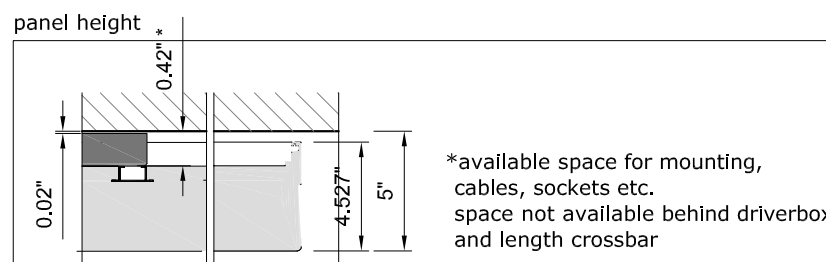
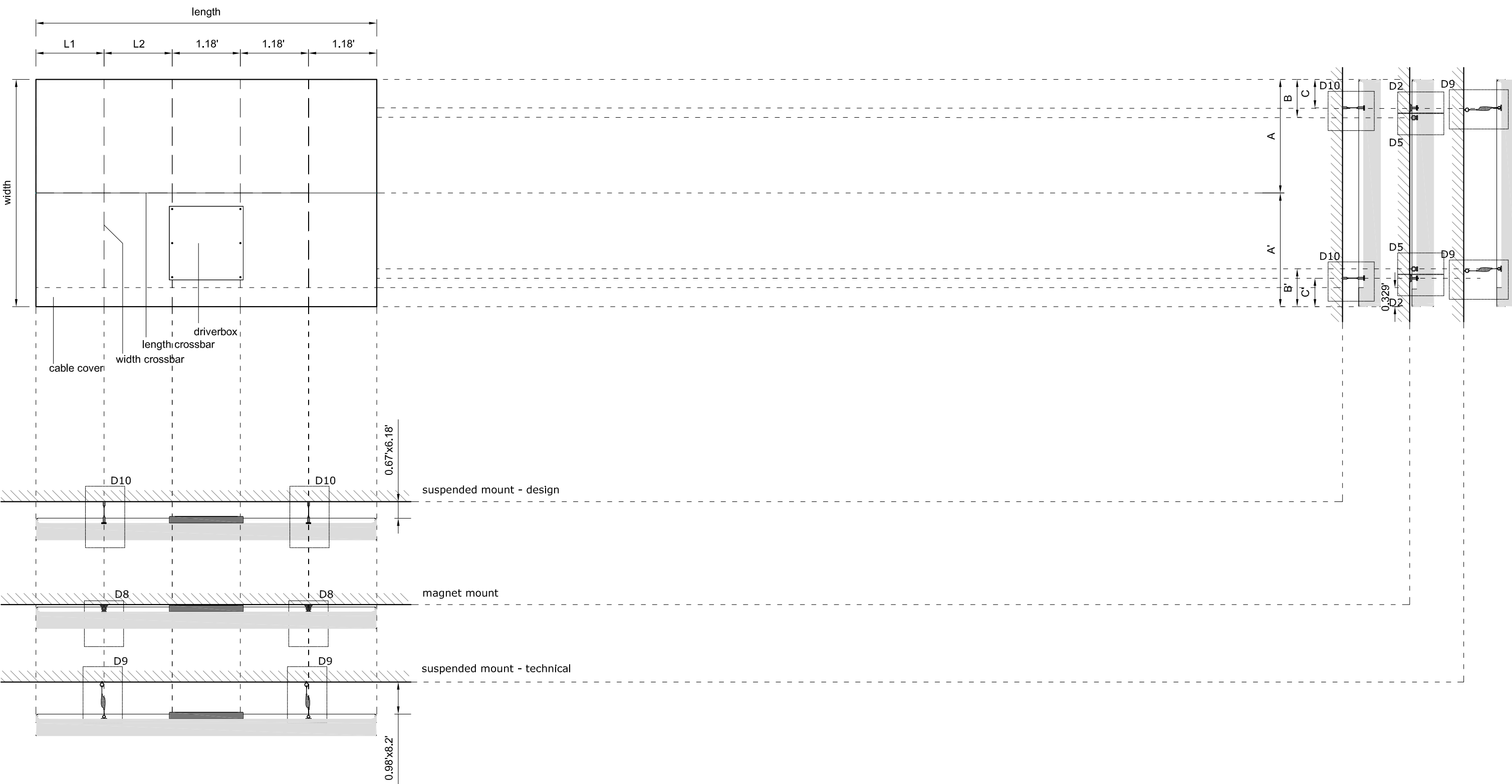
| Length | 4.92 | 5.12 | 5.31 | 5.51 | 5.71 | 5.91 |
|--------|-------|-------|-------|-------|-------|-------|
| L2 | 0.787 | | 1.181 | | | |
| L1 | 0.591 | 0.787 | 0.591 | 0.787 | 0.984 | 1.181 |

| Width | 2.36 | 2.56 | 2.76 | 2.95 | 3.15 | 3.35 | 3.54 | 3.74 | 3.94 |
|-------|-------|-------|-------|-------|-------|-------|-------|-------|-------|
| A | 0.607 | 0.804 | 1.001 | 1.198 | 1.394 | 1.591 | 1.788 | 1.870 | 1.969 |
| A' | | | | 1.755 | | | | | |
| B | 0.459 | | | | | 0.656 | | | |
| B' | | | | | 0.656 | | | | |
| C | 0.295 | | | | | | 0.492 | | |
| C' | | | | | | 0.492 | | | |



| Length | 4.92 | 5.12 | 5.31 | 5.51 | 5.71 | 5.91 |
|--------|-------|-------|-------|-------|-------|-------|
| L2 | 0.787 | | 1.181 | | | |
| L1 | 0.591 | 0.787 | 0.591 | 0.787 | 0.984 | 1.181 |

| Width | 2.36 | 2.56 | 2.76 | 2.95 | 3.15 | 3.35 | 3.54 | 3.74 | 3.94 |
|-------|-------|-------|-------|-------|-------|-------|-------|-------|-------|
| A | 0.607 | 0.804 | 1.001 | 1.198 | 1.394 | 1.591 | 1.788 | 1.870 | 1.969 |
| A' | | | | 1.755 | | 1.870 | | | |
| B | 0.459 | | 0.656 | | | | | | |
| B' | 0.656 | | | | | | | | |
| C | 0.295 | | 0.492 | | | | | | |
| C' | 0.492 | | | | | | | | |

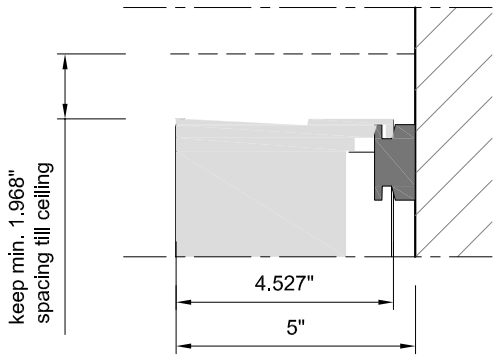


| Length | 4.92 | 5.12 | 5.31 | 5.51 | 5.71 | 5.91 |
|--------|-------|-------|-------|-------|-------|-------|
| L2 | 0.787 | | 1.181 | | | |
| L1 | 0.591 | 0.787 | 0.591 | 0.787 | 0.984 | 1.181 |

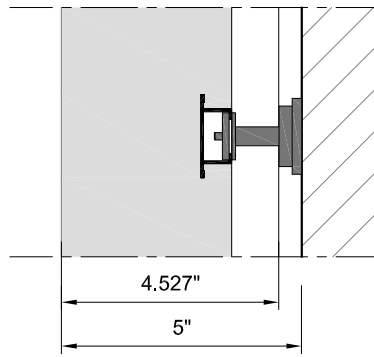
| Width | 2.36 | 2.56 | 2.76 | 2.95 | 3.15 | 3.35 | 3.54 | 3.74 | 3.94 |
|-------|-------|-------|-------|-------|-------|-------|-------|-------|-------|
| A | 0.607 | 0.804 | 1.001 | 1.198 | 1.394 | 1.591 | 1.788 | 1.870 | 1.969 |
| A' | 1.755 | | | | 1.870 | | | | |
| B | 0.459 | | 0.656 | | | | | | |
| B' | 0.656 | | | | | | 0.492 | | |
| C | 0.295 | | 0.492 | | | | | | |
| C' | 0.492 | | | | | | | | |

All rights are reserved. Reproduction in whole or in part is prohibited without the written consent of the copyright owner.
© KONINKLIJKE PHILIPS ELECTRONICS N.V. 2015

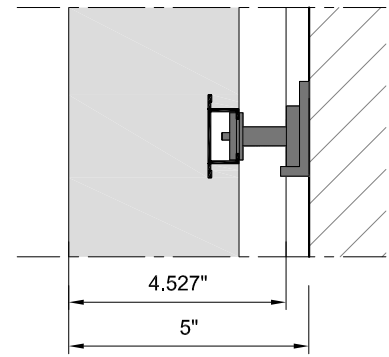
D1: wall hook



D2: magnet + plate

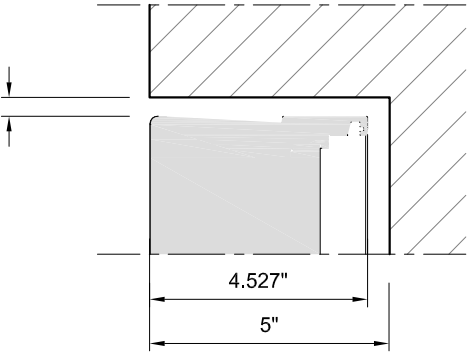


D3: magnet + L-bracket

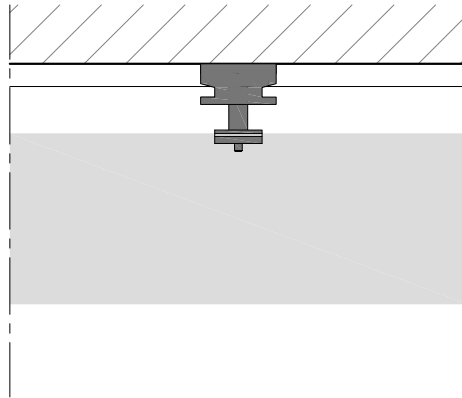


keep min. 0.394" for heat dissipation and allowing the panel to be removed

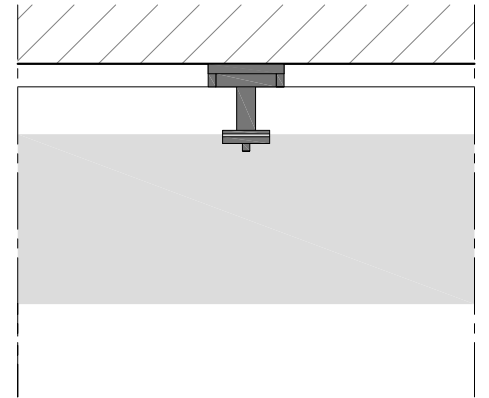
D4: recessed mounting - clearance



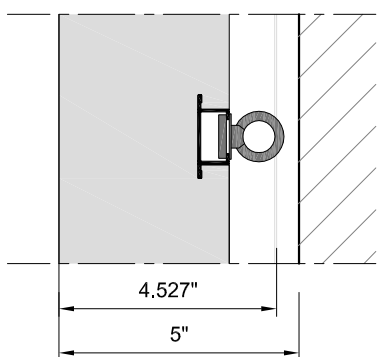
D5: wall hook / magnet + plate



D6: magnet + plate / magnet + L-bracket

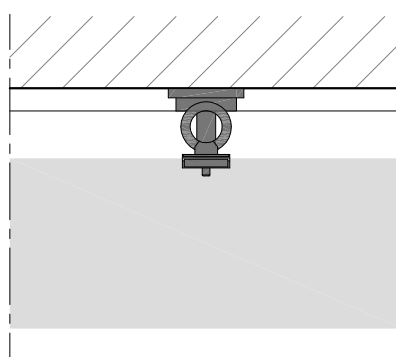


D7: safety eye



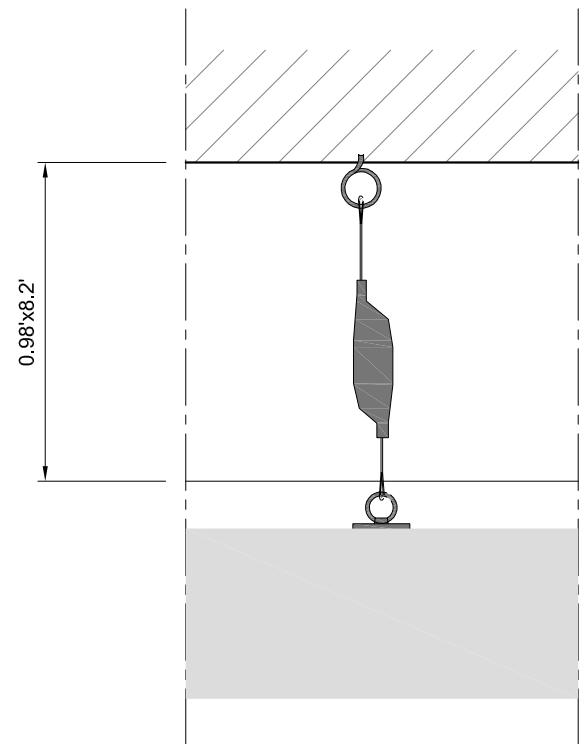
ensure wall safety eye is not exactly behind the panel safety eye

D8: magnet + plate / safety eye



ensure ceiling safety eye is not exactly behind the panel safety eye

D9: technical suspended



D10: posilock suspended

