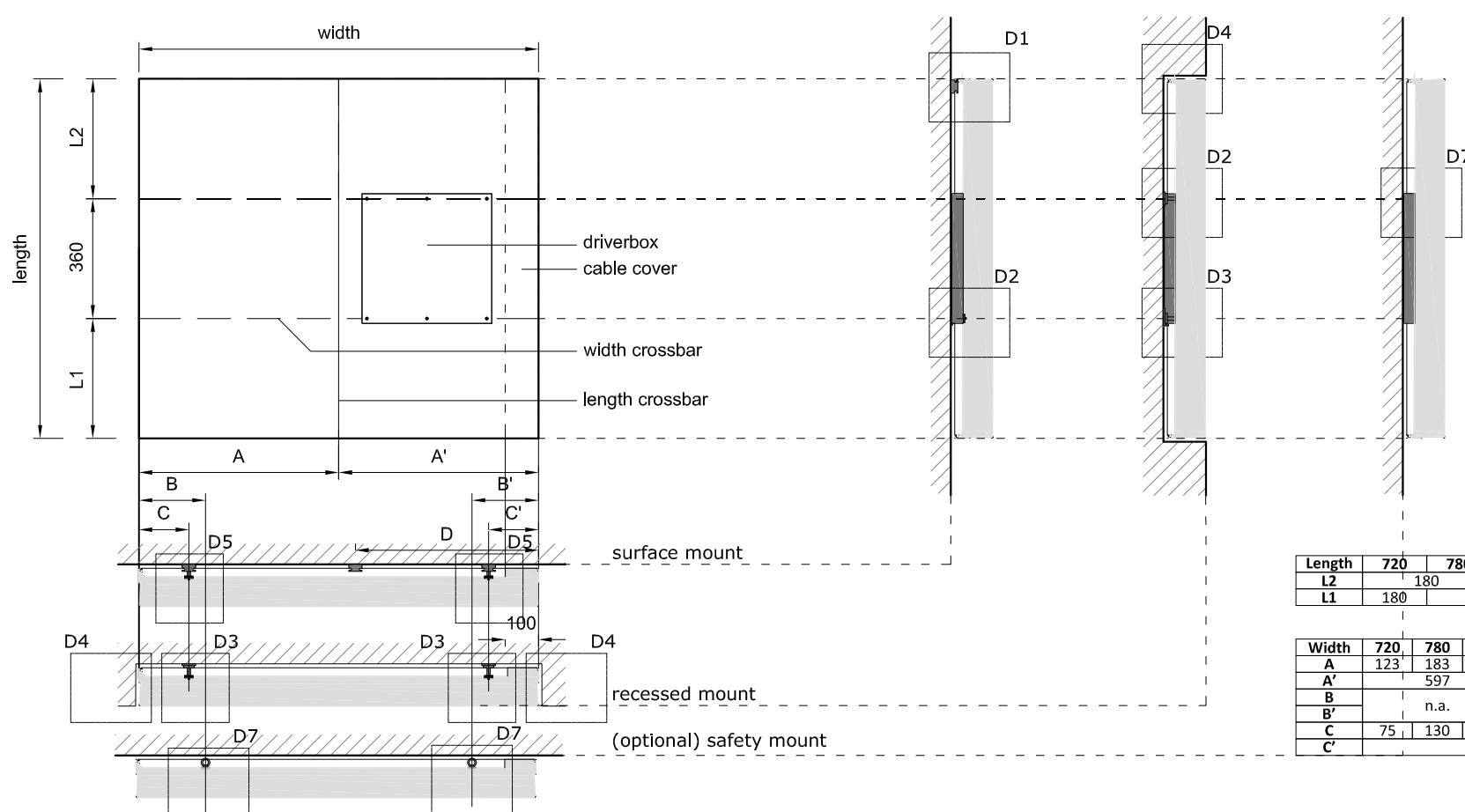


*available space for mounting, cables, sockets etc. space not available behind driverbox and length crossbar

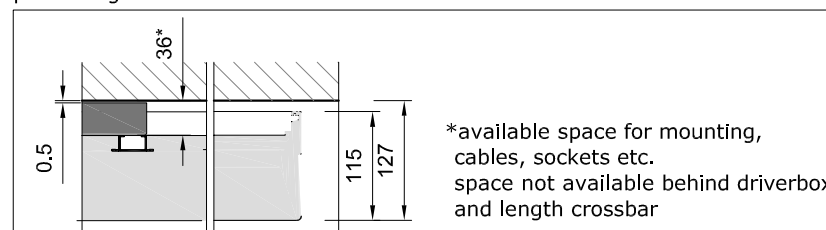


Length	720	780	840	900	960	1020	1080
L2	180	240					360
L1	180	240	180	240	300	360	

Width	720	780	840	900	960	1020	1080	1140	1200
A	123	183	243	253	313	373	433	493	553
A'		597					647		
B							200		
B'		n.a.					200		
C	75	130	150				150		
C'					150				



panel height

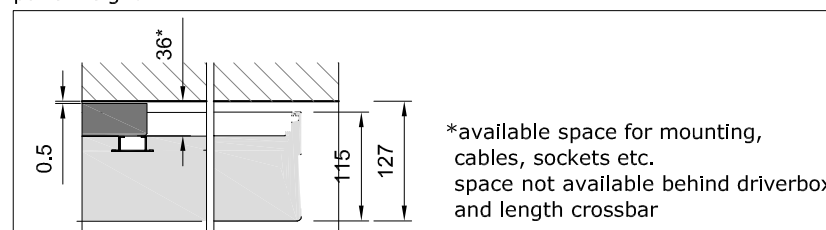


Length	720	780	840	900	960	1020	1080
L2	180	240	240	360	360	360	360
L1	180	240	180	240	300	360	360

Width	720	780	840	900	960	1020	1080	1140	1200	
A	123	183	243	253	313	373	433	493	553	
A'	597						647			
B	n.a.						200			
B'	n.a.						200			
C	75	130	150	150						
C'	150									



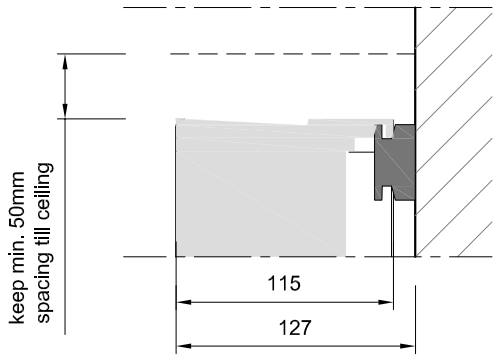
panel height



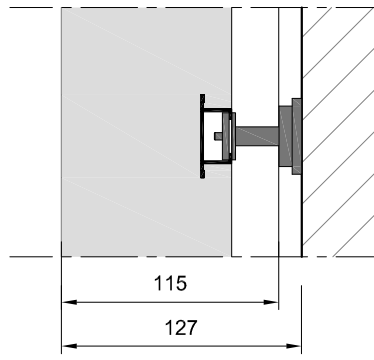
Length	720	780	840	900	960	1020	1080
L2	180	240	240	180	240	300	360
L1	180	240	240	180	240	300	360

Width	720	780	840	900	960	1020	1080	1140	1200
A	123	183	243	253	313	373	433	493	553
A'	597			647					
B	n.a.			200					
B'	n.a.			200					
C	75	130	150	150					
C'	150								

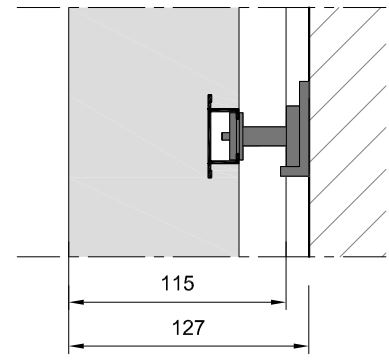
D1: wall hook



D2: magnet + plate

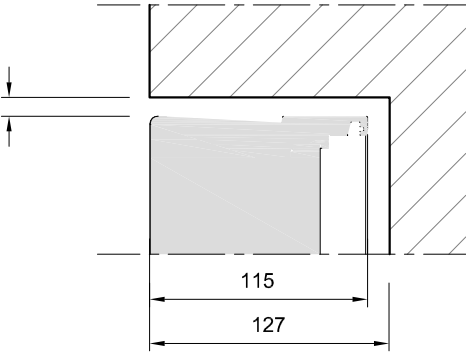


D3: magnet + L-bracket

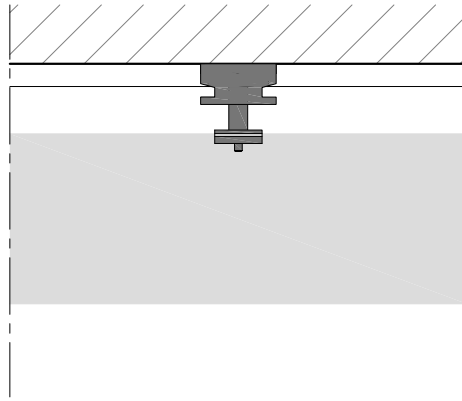


keep min. 10mm for heat dissipation and allowing the panel to be removed

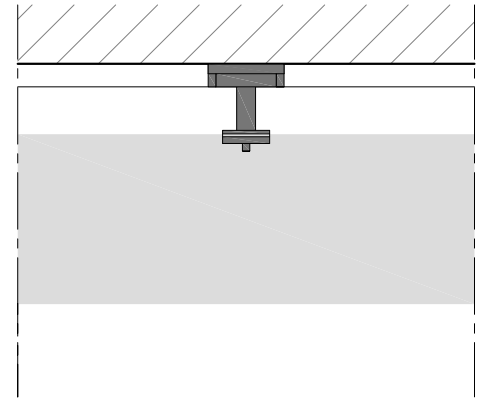
D4: recessed mounting - clearance



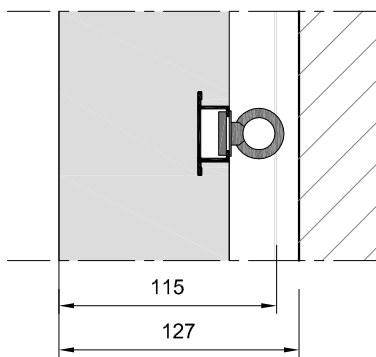
D5: wall hook / magnet + plate



D6: magnet + plate / magnet + L-bracket

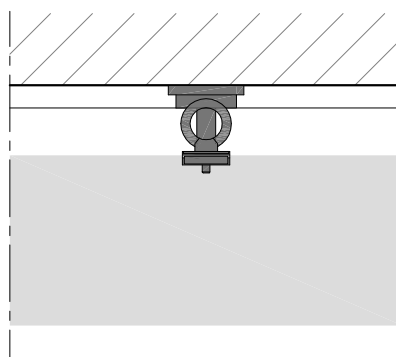


D7: safety eye



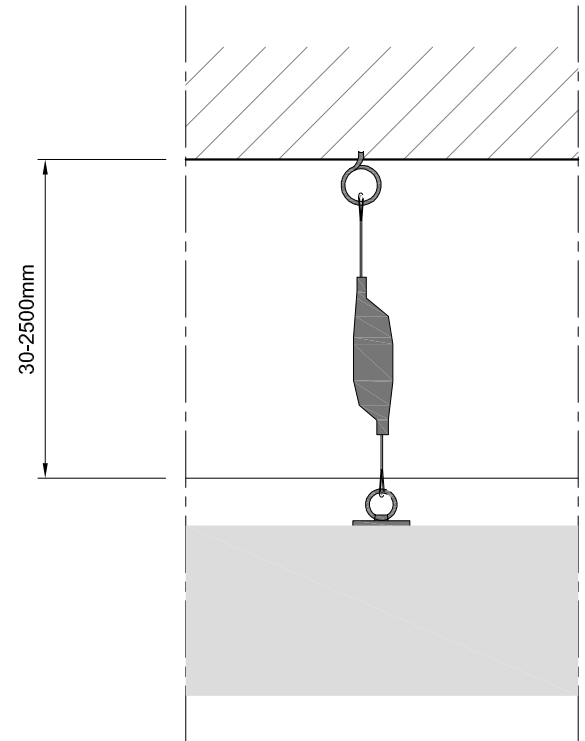
ensure wall safety eye is not exactly behind the panel safety eye

D8: magnet + plate / safety eye



ensure ceiling safety eye is not exactly behind the panel safety eye

D9: technical suspended



D10: posilock suspended

