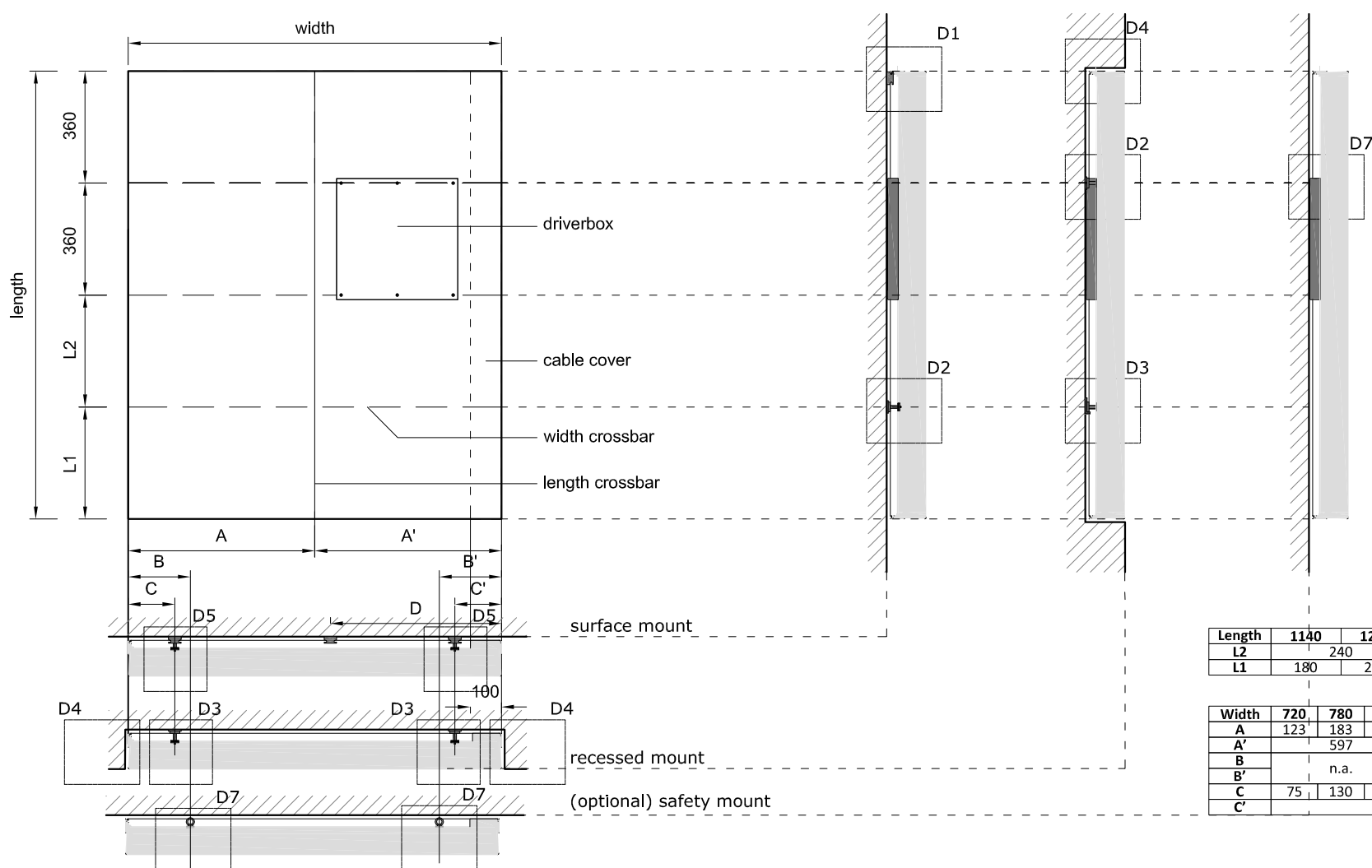


*available space for mounting, cables, sockets etc. space not available behind driverbox and length crossbar

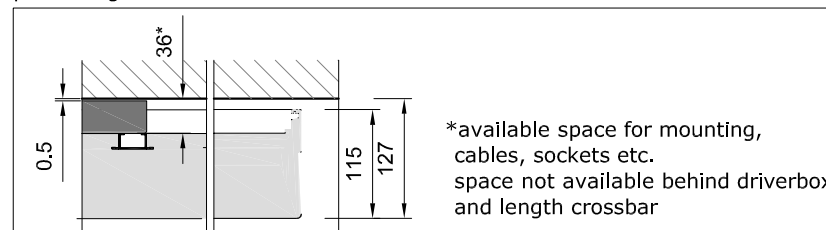


Length	1140	1200	1260	1320	1380	1440
L2		240				360
L1	180	240	180	240	300	360

Width	720	780	840	900	960	1020	1080	1140	1200
A	123	183	243	253	313	373	433	493	553
A'		597					647		
B							200		
B'		n.a.					200		
C	75	130	150				150		
C'							150		



panel height

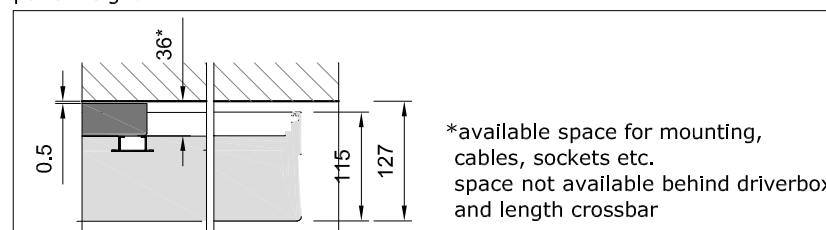


Length	1140	1200	1260	1320	1380	1440
L2	240	240	240	240	360	360
L1	180	240	180	240	300	360

Width	720	780	840	900	960	1020	1080	1140	1200	
A	123	183	243	253	313	373	433	493	553	
A'	597						647			
B	n.a.						200			
B'	n.a.						200			
C	75	130	150	150						
C'	n.a.						150			



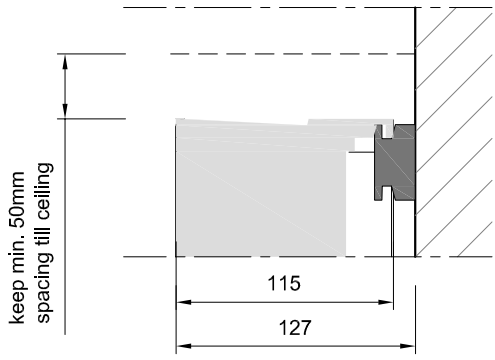
panel height



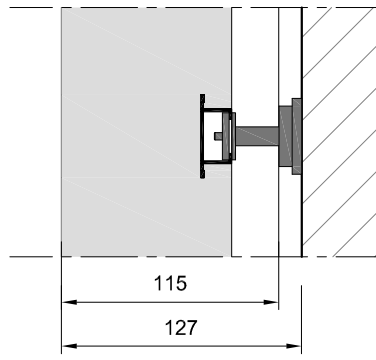
Length	1140	1200	1260	1320	1380	1440
L2	240					
L1	180	240	180	240	300	360

Width	720	780	840	900	960	1020	1080	1140	1200	
A	123	183	243	253	313	373	433	493	553	
A'	597						647			
B	n.a.						200			
B'	n.a.						200			
C	75	130	150	150						
C'	n.a.						150			

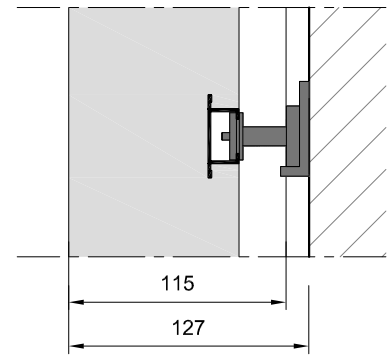
D1: wall hook



D2: magnet + plate

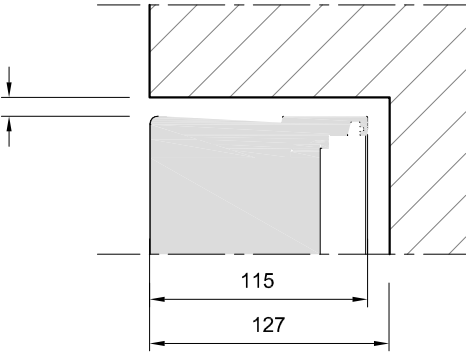


D3: magnet + L-bracket

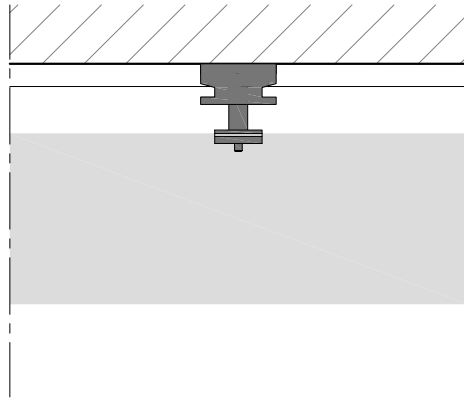


keep min. 10mm for heat dissipation and allowing the panel to be removed

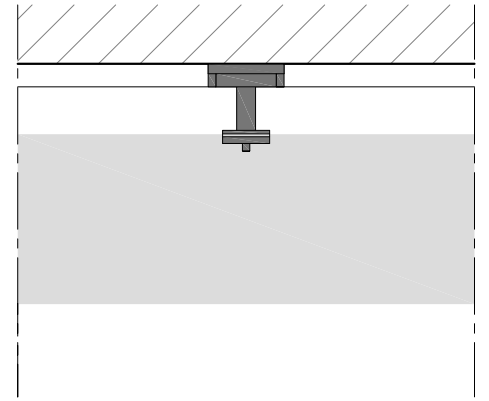
D4: recessed mounting - clearance



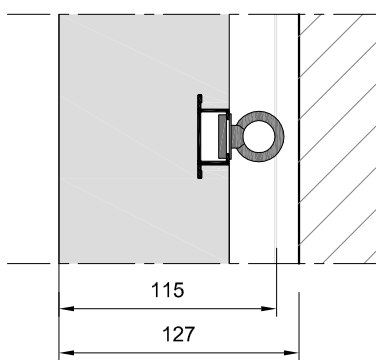
D5: wall hook / magnet + plate



D6: magnet + plate / magnet + L-bracket

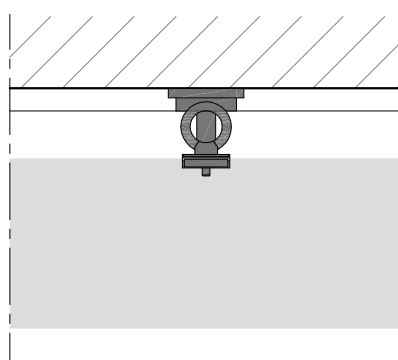


D7: safety eye



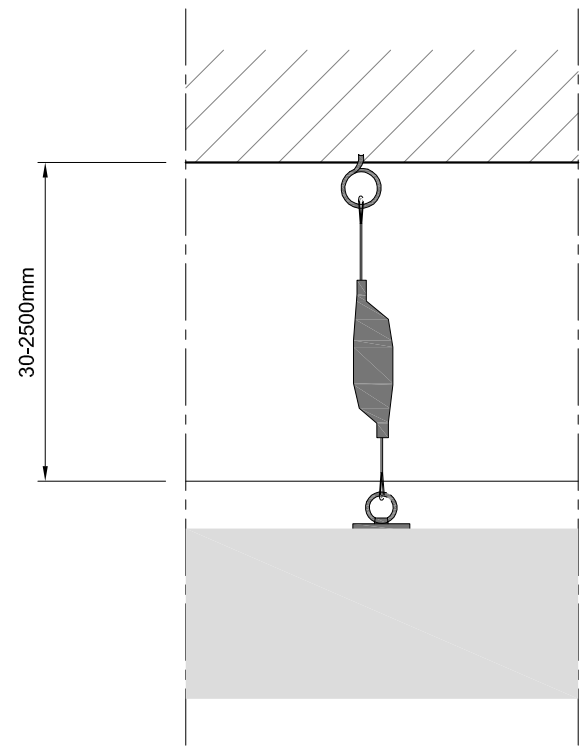
ensure wall safety eye is not exactly behind the panel safety eye

D8: magnet + plate / safety eye



ensure ceiling safety eye is not exactly behind the panel safety eye

D9: technical suspended



D10: posilock suspended

