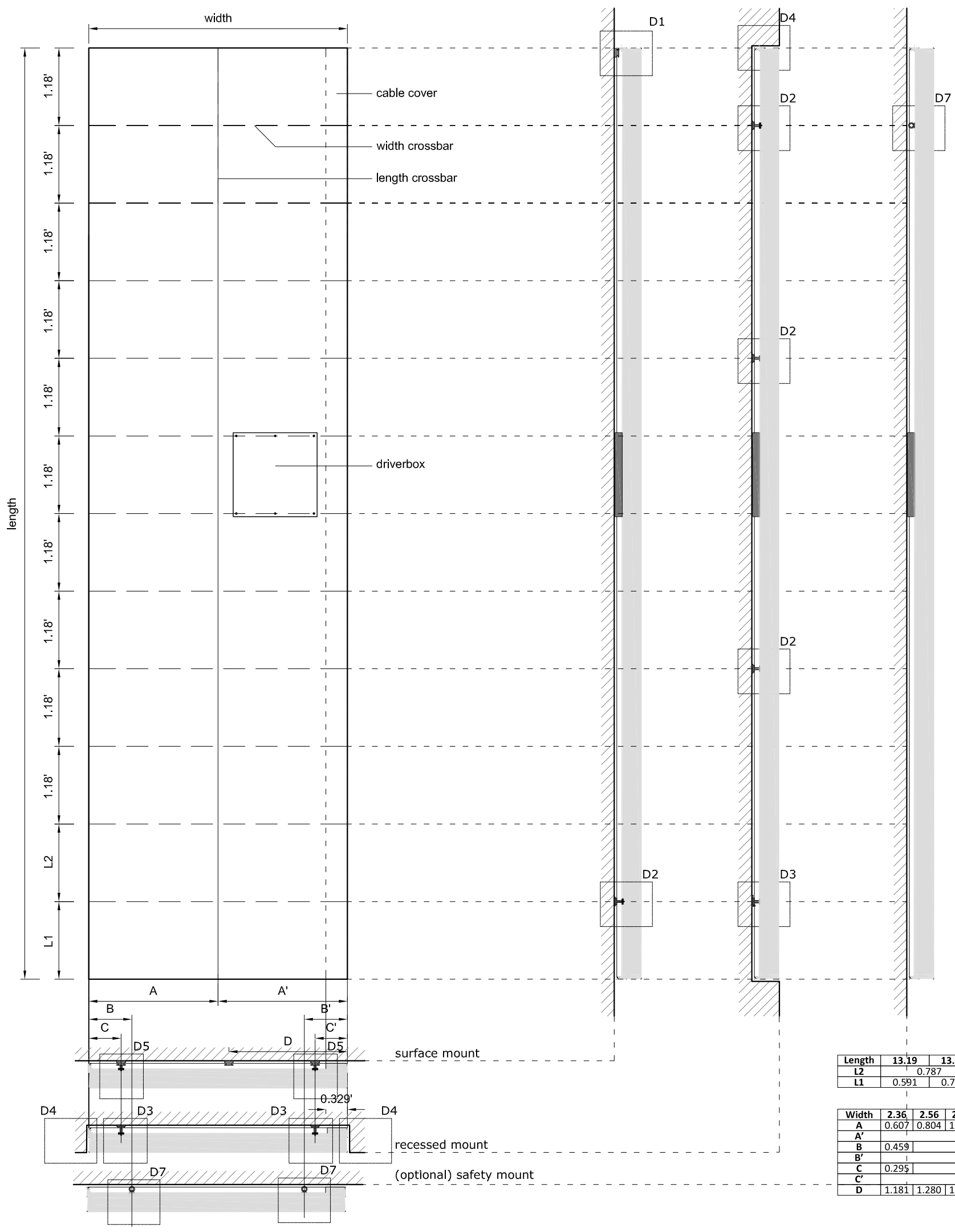
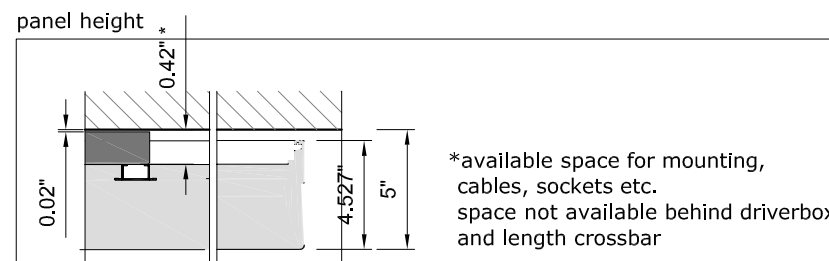
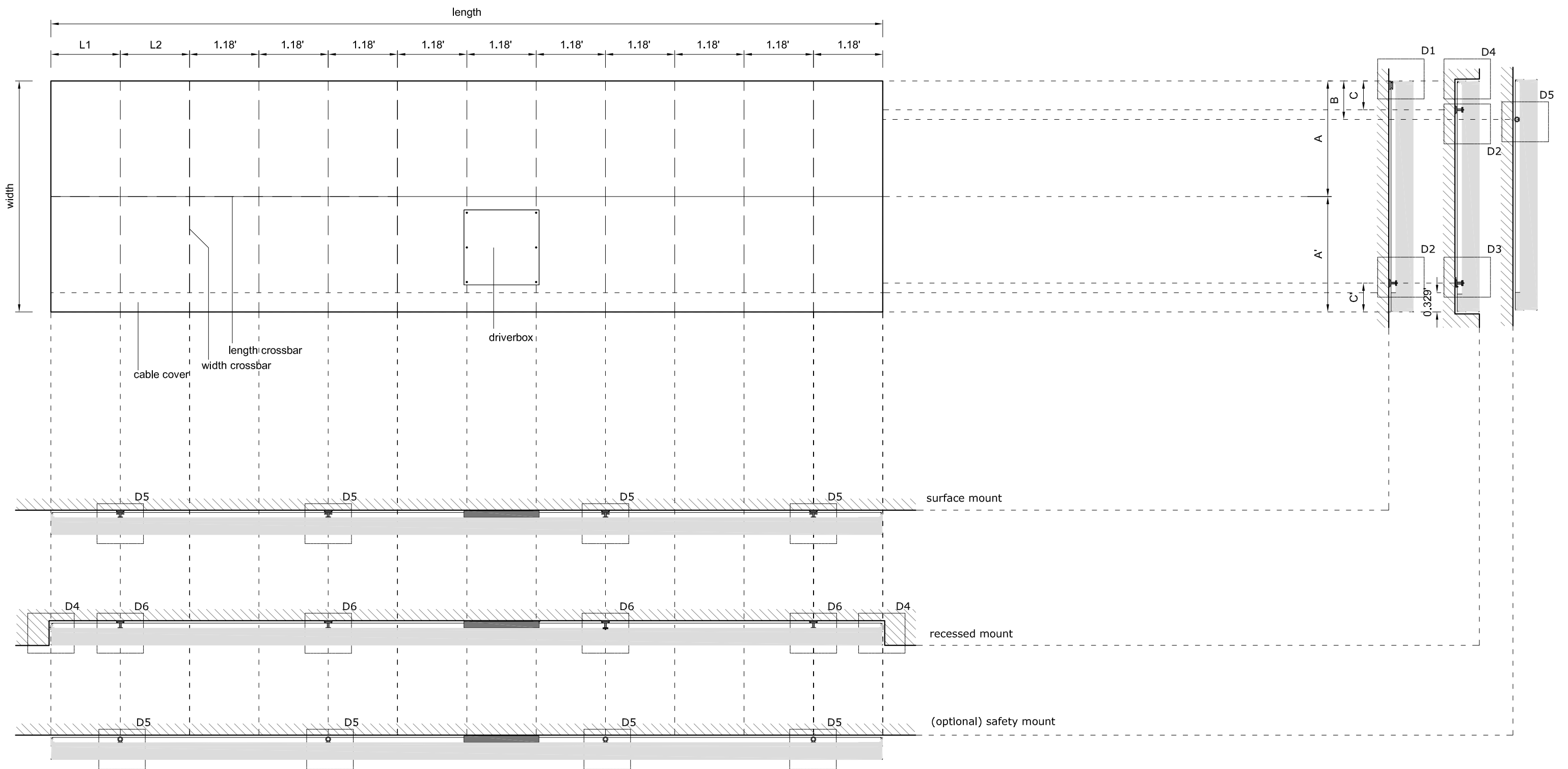


*available space for mounting, cables, sockets etc. space not available behind driverbox and length crossbar



Length	13.19	13.39	13.58	13.78	13.98	14.17
L2	0.787		1.181			
L1	0.591	0.787	0.591	0.787	0.984	1.181

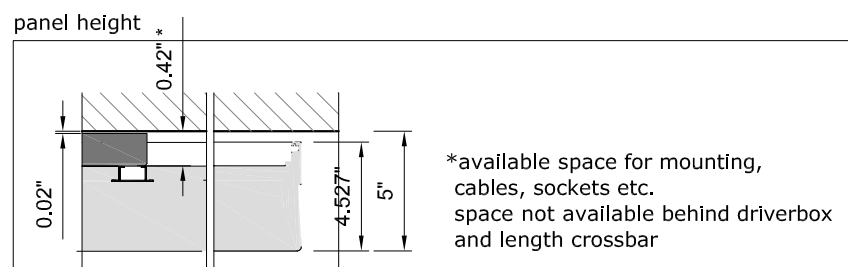
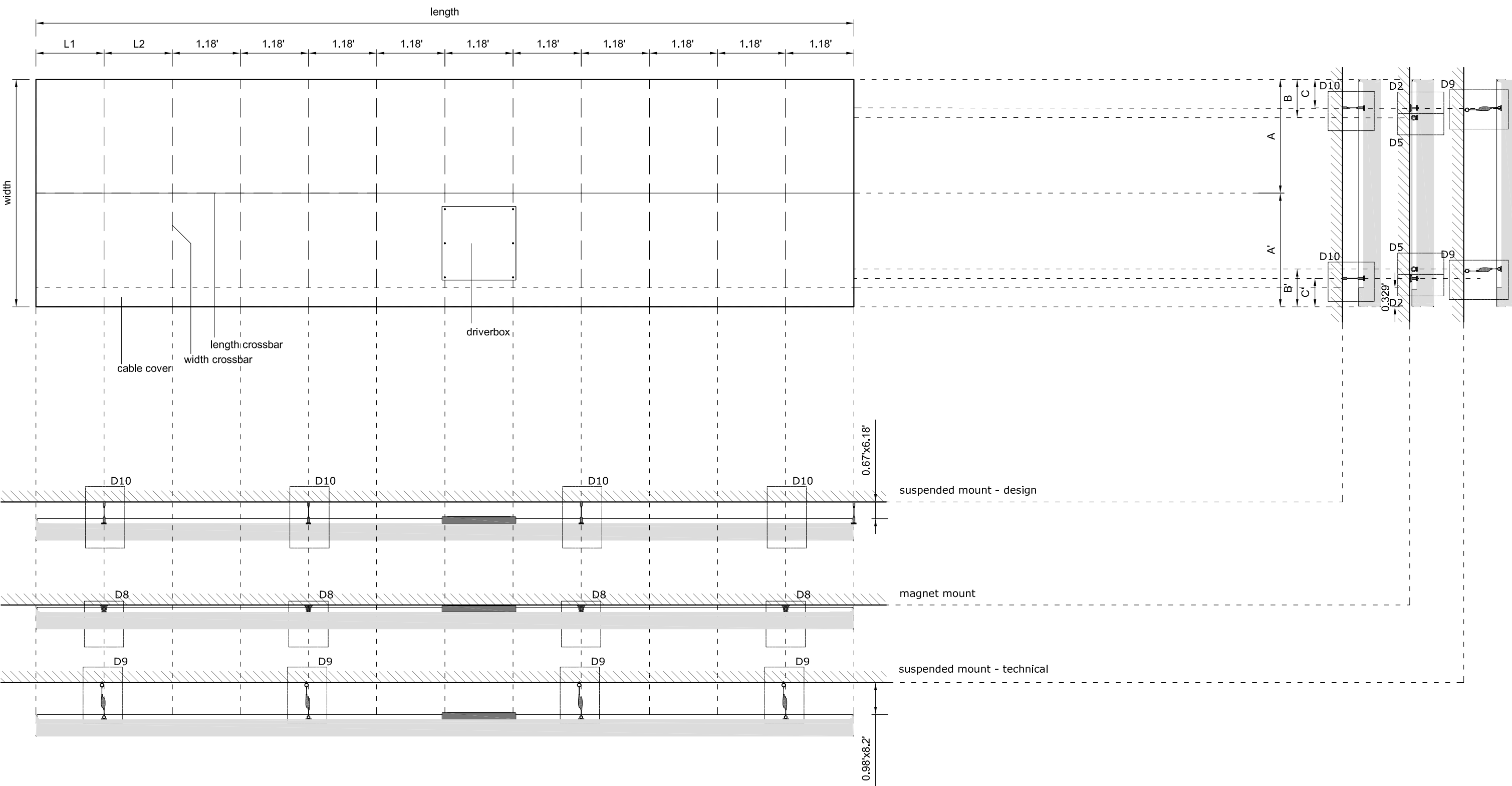
Width	2.36	2.56	2.76	2.95	3.15	3.35	3.54	3.74	3.94
A	0.607	0.804	1.001	1.198	1.394	1.591	1.788	1.870	1.969
A'				1.755			1.870	1.969	
B	0.459					0.656			
B'					0.656				
C	0.295				0.492				
C'					0.492				
D	1.181	1.280	1.378	1.476	1.575	1.591	1.624	1.706	1.804



Length	13.19	13.39	13.58	13.78	13.98	14.17
L2	0.787					
L1	0.591	0.787	0.591	0.787	0.984	1.181

Width	2.36	2.56	2.76	2.95	3.15	3.35	3.54	3.74	3.94
A	0.607	0.804	1.001	1.198	1.394	1.591	1.788	1.870	1.969
A'	1.755								
B	0.459	0.656							
B'	0.656								
C	0.295	0.492							
C'	0.492								
D	1.181	1.280	1.378	1.476	1.575	1.591	1.624	1.706	1.804

All rights are reserved. Reproduction in whole or in part is prohibited without the written consent of the copyright owner.
© KONINKLIJKE PHILIPS ELECTRONICS N.V. 2015

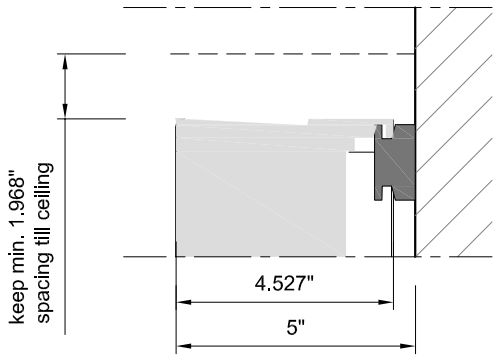


Length	13.19	13.39	13.58	13.78	13.98	14.17
L2	0.787					
L1	0.591	0.787	0.591	0.787	0.984	1.181

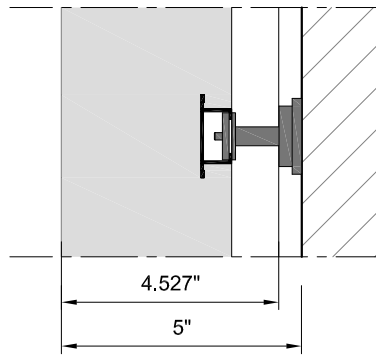
Width	2.36	2.56	2.76	2.95	3.15	3.35	3.54	3.74	3.94
A	0.607	0.804	1.001	1.198	1.394	1.591	1.788	1.870	1.969
A'					1.755				
B	0.459		0.656						
B'	0.656								
C	0.295		0.492						
C'	0.492								
D	1.181	1.280	1.378	1.476	1.575	1.591	1.624	1.706	1.804

All rights are reserved. Reproduction in whole or in part is prohibited without the written consent of the copyright owner.
© KONINKLIJKE PHILIPS ELECTRONICS N.V. 2015

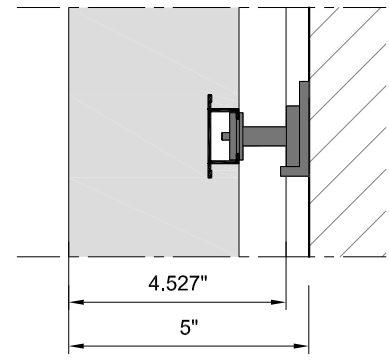
D1: wall hook



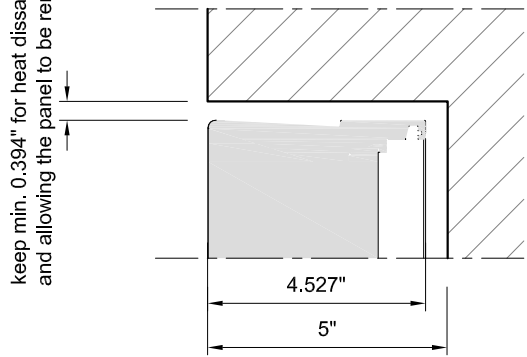
D2: magnet + plate



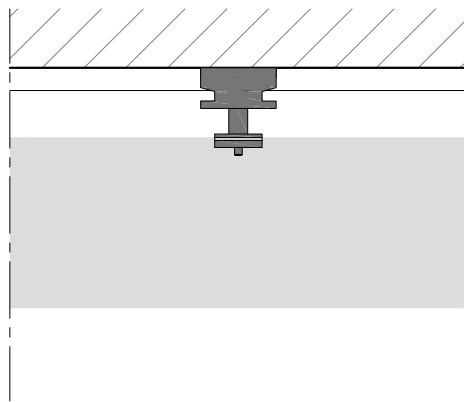
D3: magnet + L-bracket



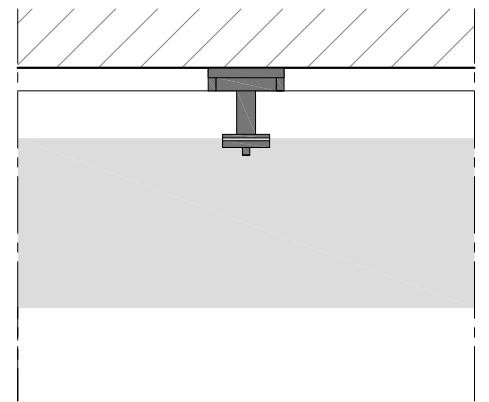
D4: recessed mounting - clearance



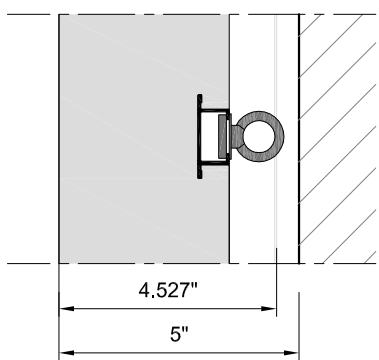
D5: wall hook / magnet + plate



D6: magnet + plate / magnet + L-bracket

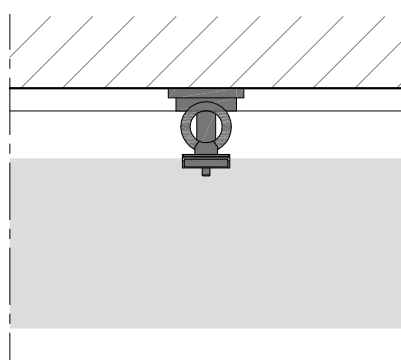


D7: safety eye



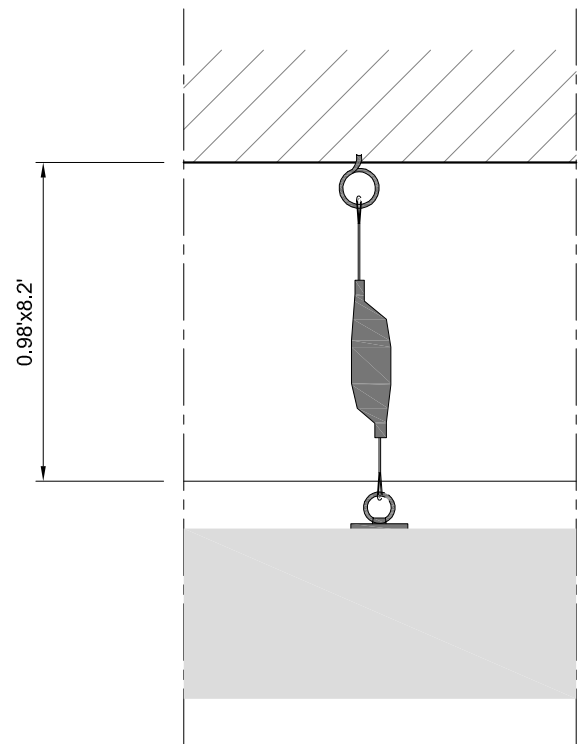
ensure wall safety eye is not exactly behind the panel safety eye

D8: magnet + plate / safety eye



ensure ceiling safety eye is not exactly behind the panel safety eye

D9: technical suspended



D10: posilock suspended

