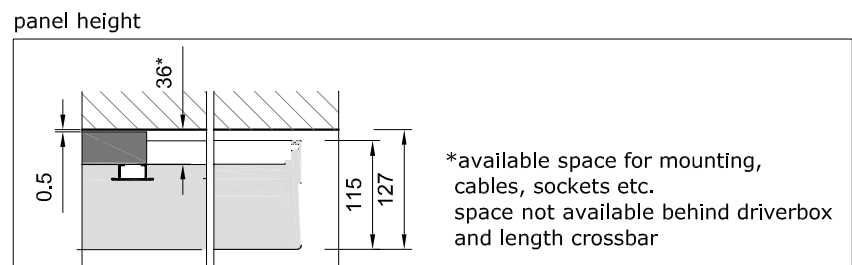
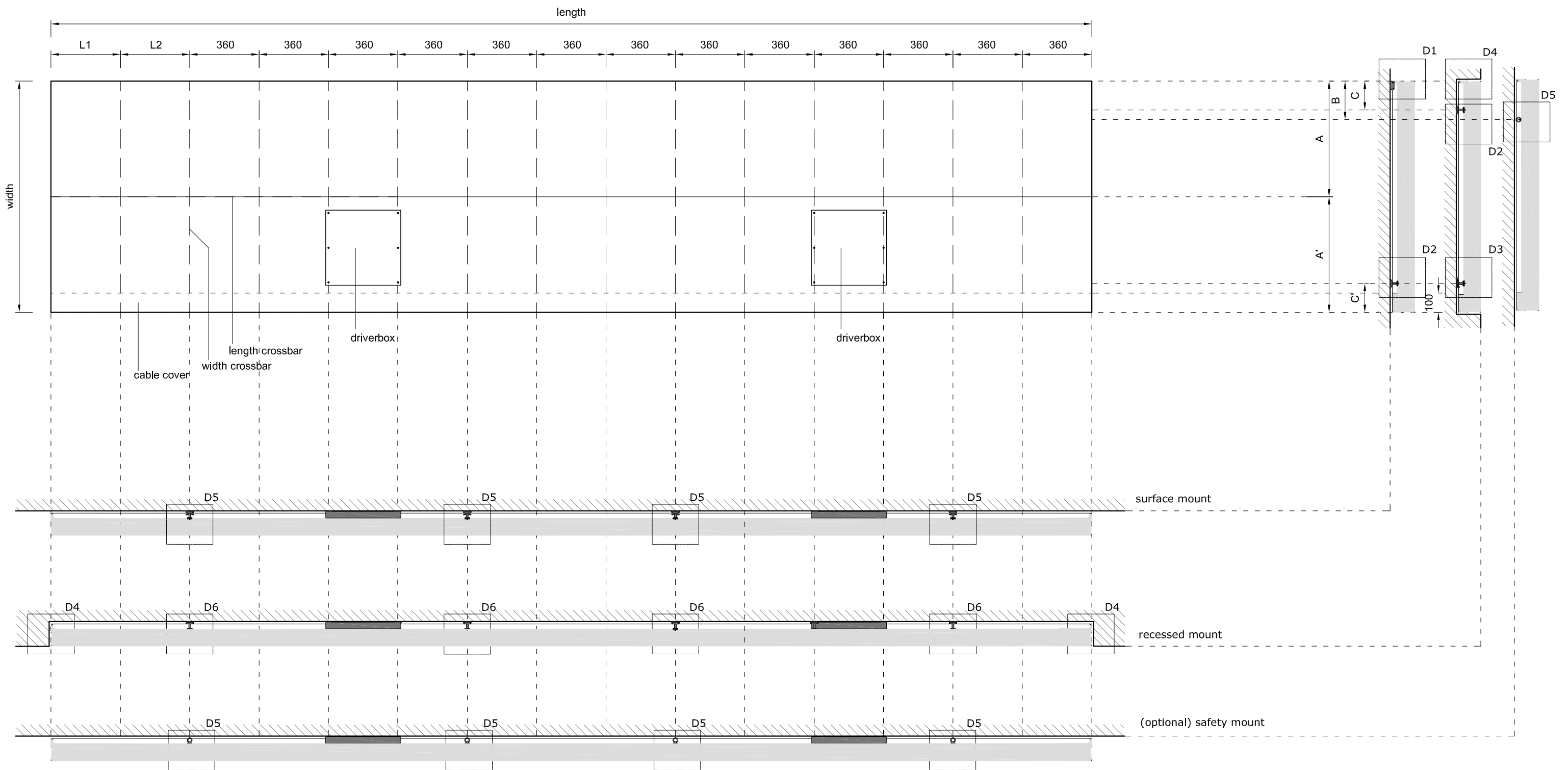


\*available space for mounting, cables, sockets etc. space not available behind driverbox and length crossbar

Length	5100	5160	5220	5280	5340	5400
L2	240					
L1	180	240	180	240	300	360

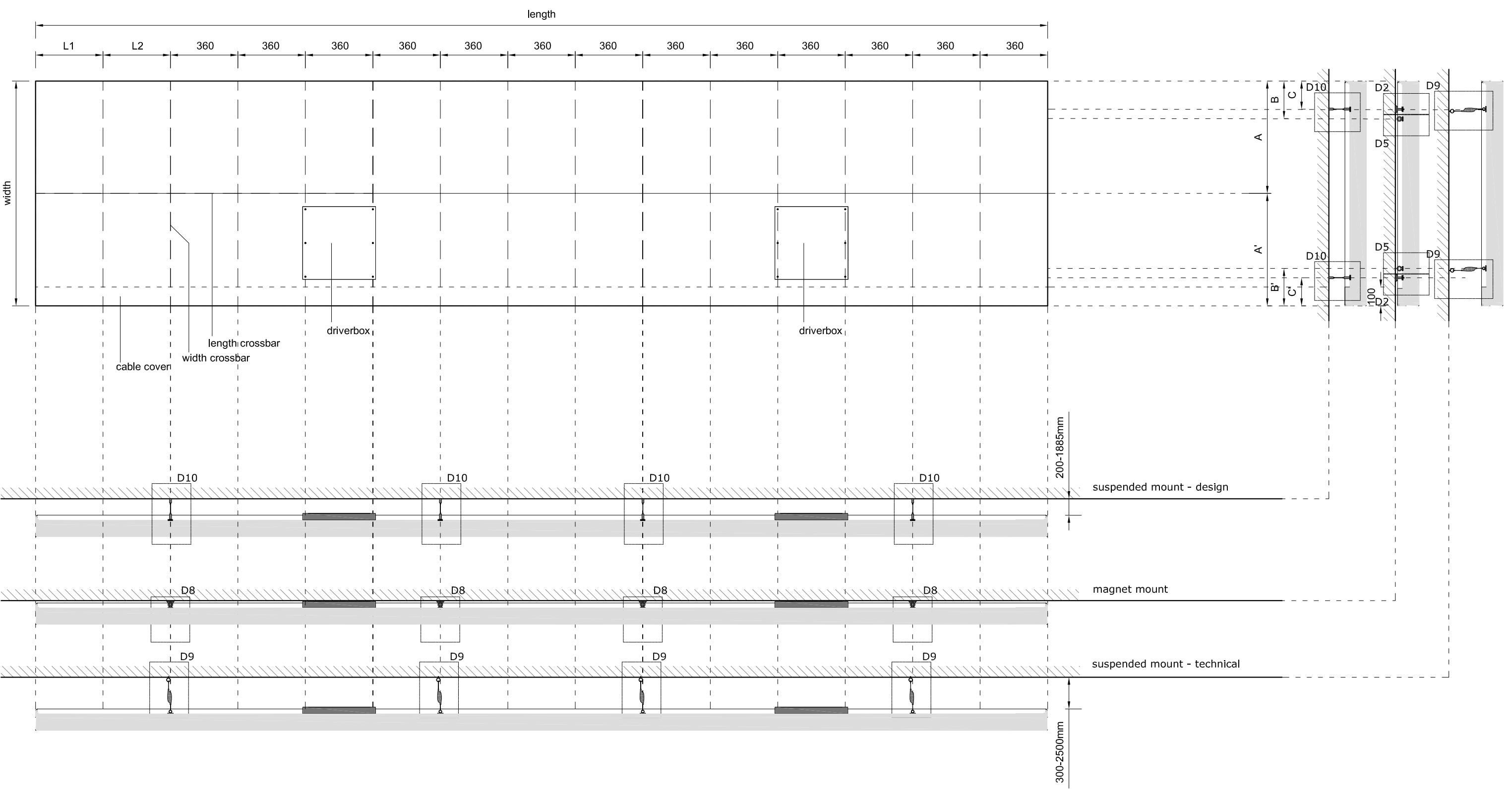
Width	720	780	840	900	960	1020	1080	1140	1200
A	185	245	305	365	425	485	545	570	600
A'				535					
B	140					200			
B'						200			
C	90					150			
C'						150			
D	360	390	420	450	480	485	495	520	550



Length	5100	5160	5220	5280	5340	5400
L2	240			360		
L1	180	240	180	240	300	360

Width	720	780	840	900	960	1020	1080	1140	1200
A	185	245	305	365	425	485	545	570	600
A'				535				570	600
B	140					200			
B'					200				
C	90					150			
C'					150				
D	360	390	420	450	480	485	495	520	550

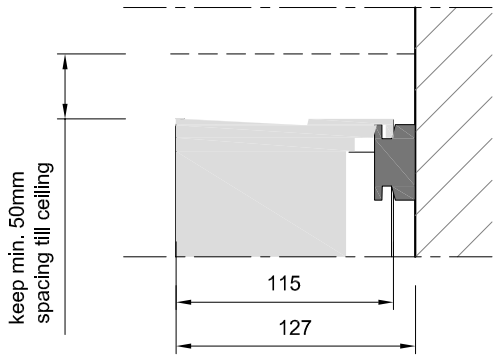
All rights are reserved. Reproduction in whole or in part is prohibited without the written consent of the copyright owner.  
© KONINKLIJKE PHILIPS ELECTRONICS N.V. 2015



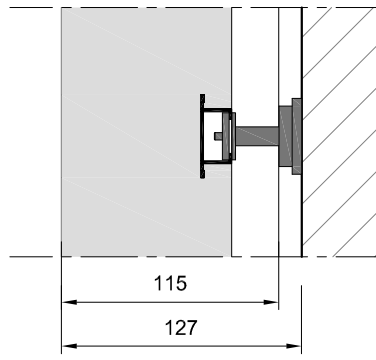
Length	5100	5160	5220	5280	5340	5400
L2	240					
L1	180	240	180	240	300	360

Width	720	780	840	900	960	1020	1080	1140	1200	
A	185	245	305	365	425	485	545	570	600	
A'	535								570	600
B	140	200								
B'	200									
C	90	150								
C'	150									
D	360	390	420	450	480	485	495	520	550	

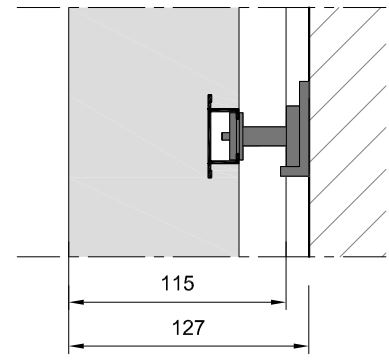
D1: wall hook



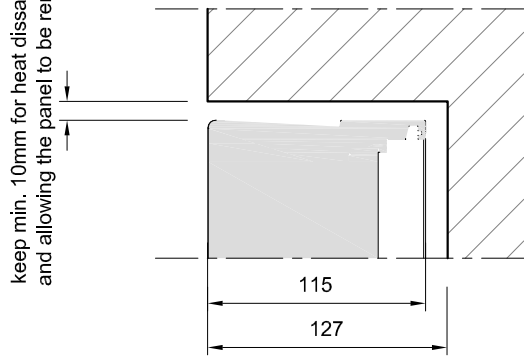
D2: magnet + plate



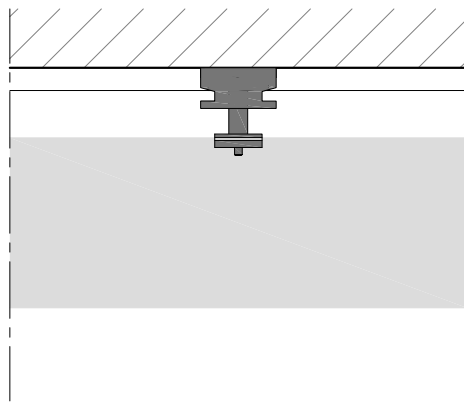
D3: magnet + L-bracket



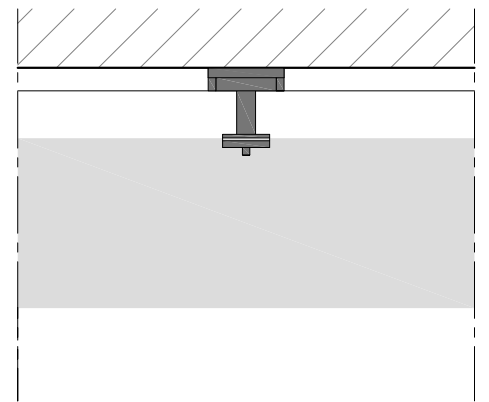
D4: recessed mounting - clearance



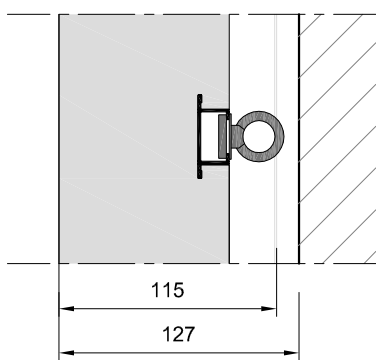
D5: wall hook / magnet + plate



D6: magnet + plate / magnet + L-bracket

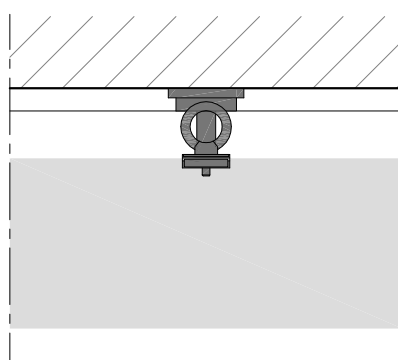


D7: safety eye



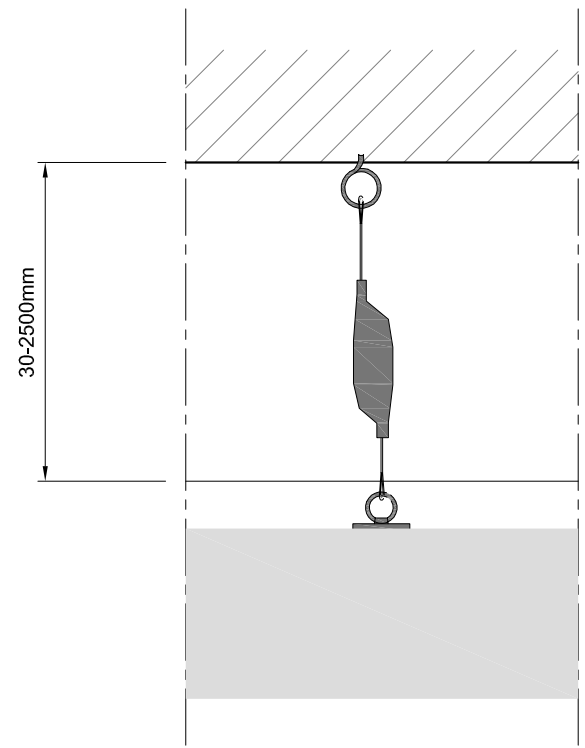
ensure wall safety eye is not exactly behind the panel safety eye

D8: magnet + plate / safety eye



ensure ceiling safety eye is not exactly behind the panel safety eye

D9: technical suspended



D10: posilock suspended

